

P/ACTIVE PRECISION VOLTAGE DIVIDER NETWORK FOR LINEAR TECHNOLOGY LT1430/I017

Features

- Provides a complete Pentium Pro regulator solution when combined with a Linear Technology LTC1430/LT1017 Power Supply Regulator Chip
- Thin film tightly ratio matched resistors using P/Active technology
- SOIC and QSOP Package

Applications

- Pentium Pro Power Supply Regulator

Refer to AP-202 Voltage Divider Application Note for further information.

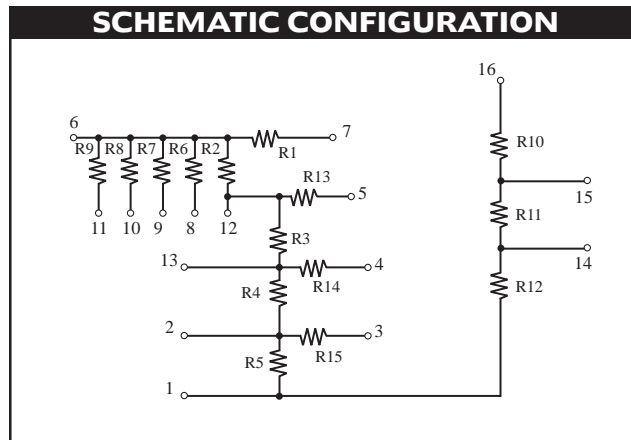
Product Description

CMD's P/Active 27A03 Precision Voltage Divider Network is designed to work with the Linear Technology LTC1430 High Power Step-down Switching Regulator Controller. CMD's P/Active technology provides precision ratio tracking over temperature range required for the proper voltage regulation in Pentium Pro-based regulator designs.

STANDARD SPECIFICATIONS

Absolute Tolerance (R)	±5%
Ratio Tracking (0°C ≤ T _A ≤ 70°C) (Voltage per resistor < 10 volts and power per resistor < 25mW)	
R11/R12	±0.25%
R1/R6	±0.25%
R1/R7	±0.5%
R1/R8	±1.0%
R1/R9	±2.0%
R1/(R2 + R3 + R4 + R5)	±0.25%
(R3 + R4 + R5)/(R1 + R2)	±0.5%
(R4 + R5)/(R1 + R2 + R3)	±0.5%
R5/(R1 + R2 + R3 + R4)	±0.5%
Operating Temperature Range	0°C to 70°C
Power Rating/Resistor	25mW @ 70°C
Storage Temperature	-65°C to +150°C
Package Power Rating	1.00W, max.

SCHEMATIC CONFIGURATION



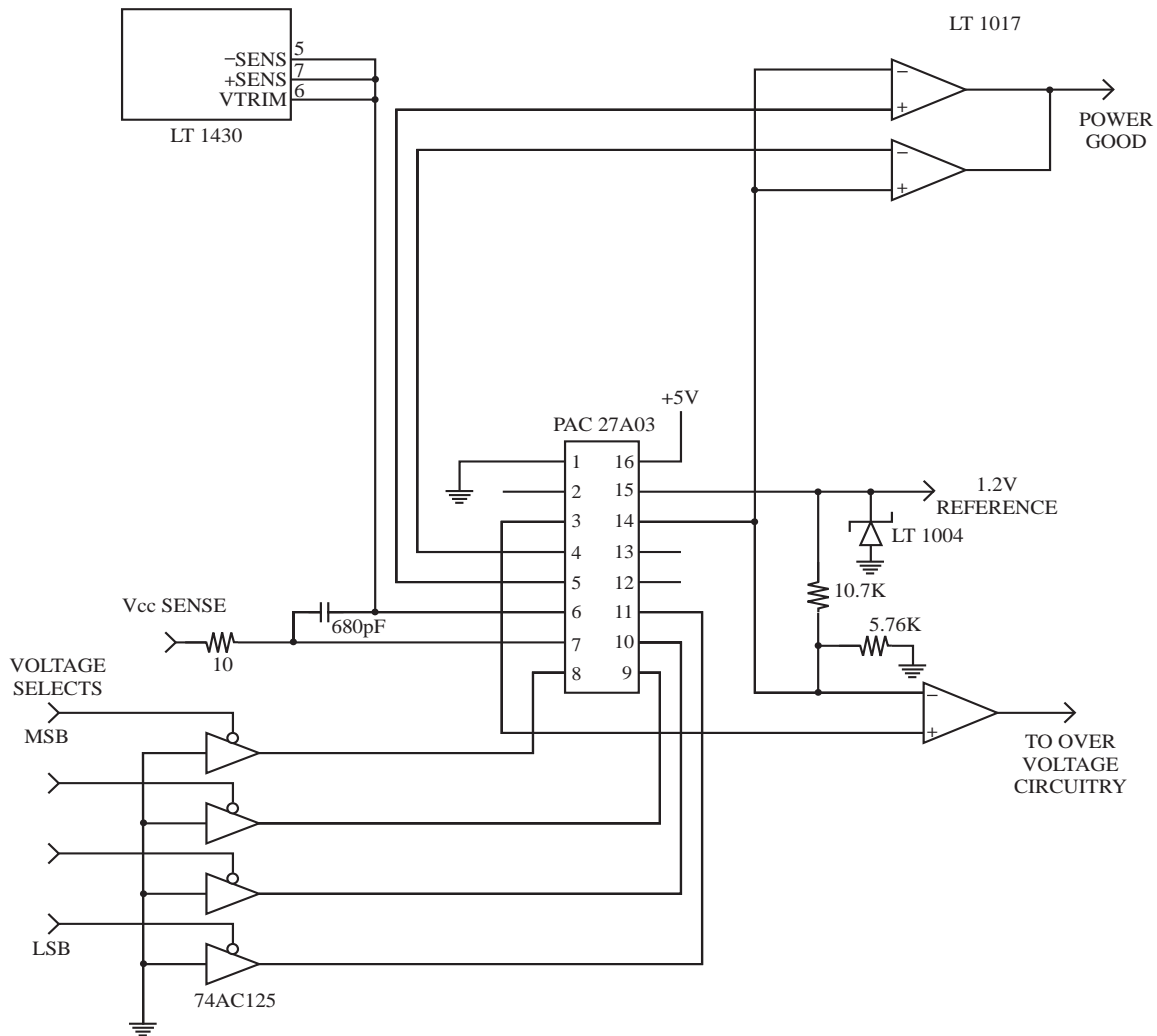
STANDARD VALUES

Resistor (R)	Value (Ohms)
R1	17600
R2	14219
R3	2381
R4	833
R5	12858
R6	27770
R7	55600
R8	111260
R9	222580
R10	1000
R11	33000
R12	33000
R13	47000
R14	47000
R15	47000



ORDERING INFORMATION				
Package		Ordering Part Number		
Pins	Style	Tubes	Tape & Reel	Part Marking
16	SOIC Narrow	PAC27A03S/T	PAC27A03S/R	PAC27A03
16	QSOP	PAC27A03Q/T	PAC27A03Q/R	PAC27A03

Application Diagram



LT 1430/LT 1017